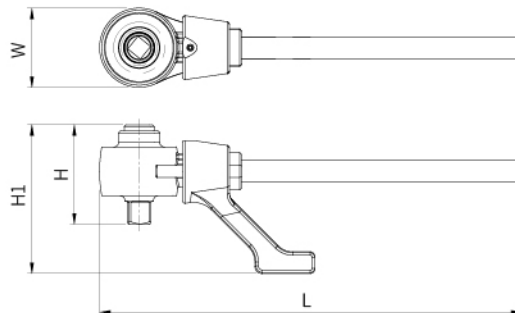




**MT**

**Torque Multiplier**



**Specification**

Accuracy : ±6%

ITEM NO.	Torque Ratio	Range ( max )				Input Square	Output Square	W	H	H1	L	KG	Packing
		Input		Output									
MT-1000	1:3	500 Nm	365 ft.lb	1500 Nm	1100 ft.lb	1/2"	3/4"	73.8	85.0	125.0	425	3.09	4 pcs/CTN
MT-2000	1:3	1000 Nm	730 ft.lb	3000 Nm	2200 ft.lb	3/4"	1"	92.2	113.3	160.0	501	6.49	2 pcs/CTN

Unit : mm

# MT2

## Torque Multiplier



3/4"

1-1/2"



MT2-1500N



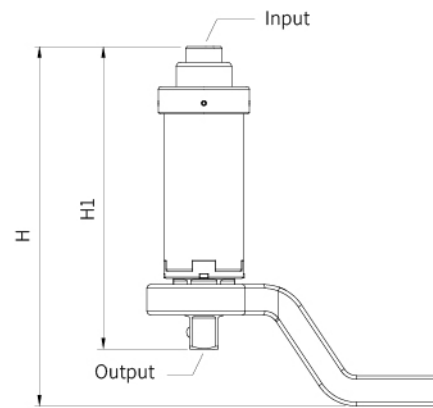
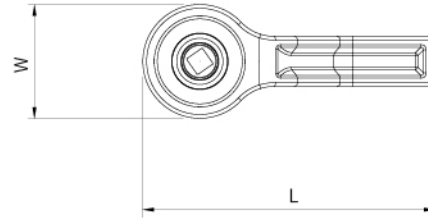
MT2-4000N & 4500N



MT2-6000NS



MT2-10000N



### Specification

Accuracy : C.W.±6%

ITEM NO.	Torque Ratio	Range ( max )				Input Square	Output Square	W	H	H1	L	KG	Packing
		Input	Output	Input	Output								
MT2-1500N	1:10	150 Nm	110 ft.lb	1500 Nm	1100 ft.lb	1/2"	3/4"	75	210.0	173.0	192.5	3.40	4 pcs/CTN
MT2-4000N	1:10	400 Nm	300 ft.lb	4000 Nm	3000 ft.lb	1/2"	1-1/2"	108	262.0	228.0	265.0	13.00	1 pce/CTN
MT2-4500N	1:30	150 Nm	110 ft.lb	4500 Nm	3300 ft.lb	1/2"	1-1/2"	108	245.4	171.7	262.8	15.27	1 pce/CTN
MT2-6000NS	1:30	200 Nm	150 ft.lb	6000 Nm	4500 ft.lb	1/2"	1-1/2"	152	229.2	189.3	475.5	22.07	1 pce/CTN
MT2-10000N	1:30	333 Nm	250 ft.lb	10000 Nm	7500 ft.lb	3/4"	1-1/2"	186	238.8	197.0	493.0	30.04	1 pce/CTN

Unit : mm

Supplied in a plastic box.  
Wooden box for above MT2-6000N