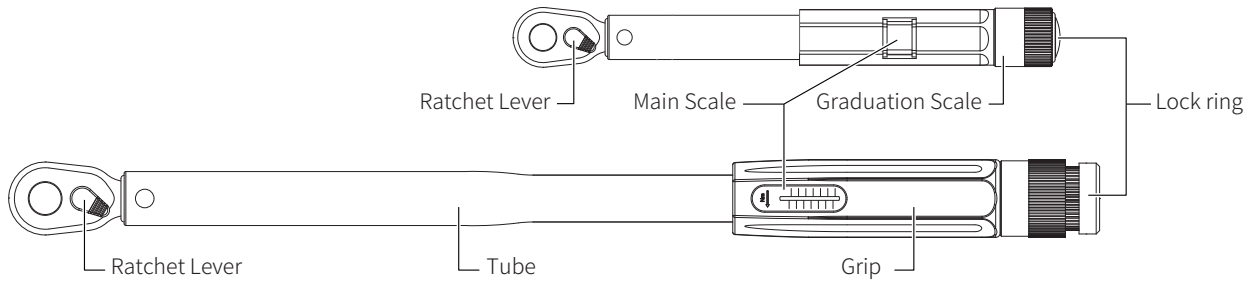


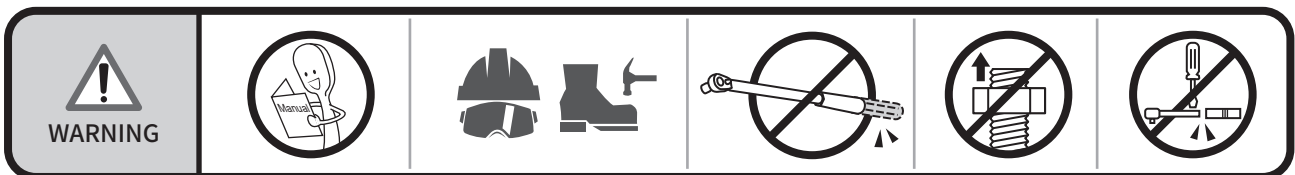
Adjustable Torque Wrench OPERATION MANUAL

TORQUE **1/4"** **3/8"** **1/2"**



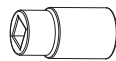
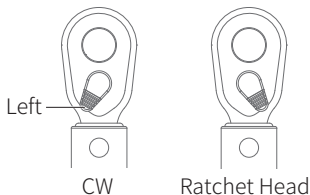
BEFORE STARTING

1. Study this instruction before use.
2. This torque wrench as calibrated and tested before leaving the factory is certified to meet the current standard specification and has an accuracy of $\pm 4\%$.
3. **THIS TOOL IS A PRECISION MEASUREMENT AND DESIGNED FOR MANUAL TIGHTENING FASTENERS ONLY. DO NOT USE IT AS A NUT BREAKER OR FOR ANY OTHER PURPOSE.**
4. Over torque will cause tool damage and personal injury.
5. Do not use this tool near rotating machinery.
6. Disassemble this tool or make any adjustments will result of losing accuracy and void the warranty.
7. Do not continuously apply force after hear click or feel shock.
8. Do not use any format of extension on the handle of the tool. This will not only damage the tool, also affect the accuracy.
9. Do not immerse grease inside ratchet head. It may cause unexpected damage.
10. Use special care at minimum torque setting.
11. Please wear gloves and goggles when working.



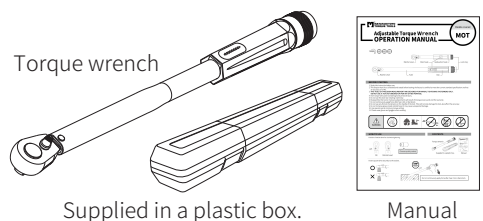
HOW TO USE

Position of ratchet lever for clockwise tightening.

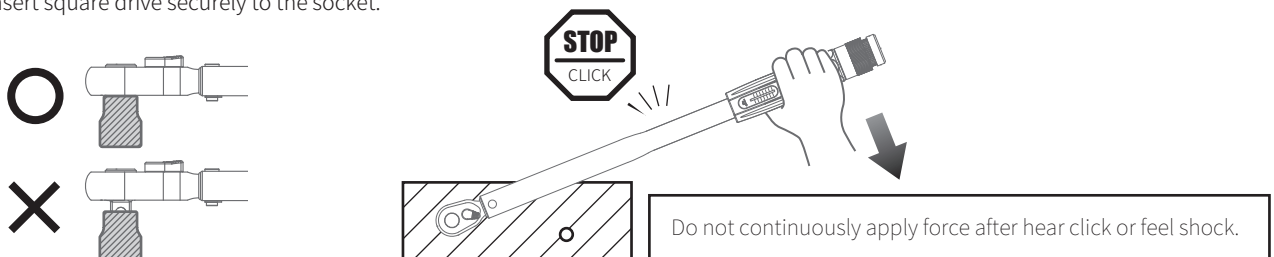


Choose quality socket

CONTENTS



Insert square drive securely to the socket.

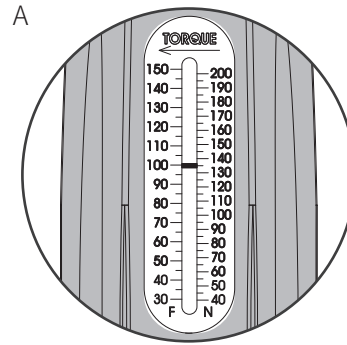
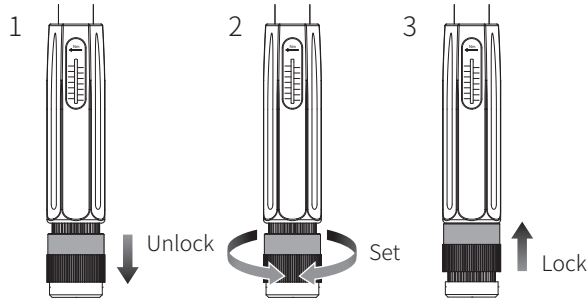


HOW TO SET TORQUE VALUE

1. Push down the lock ring to unlocked.
2. Turn the adjustable handle Clockwise or Anti-clockwise (Right or left) to set the desired torque.
3. Pull upper the lock ring to set finished.

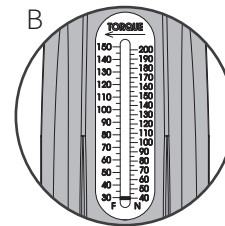
For example : ITEM NO. MOT-200N

To set torque to 135 Nm. Red line of main scale reach 135 Nm (see A).



MAINTENANCE AND STORAGE

1. Please return torque value to just below lowest reading when not in use. Do not turn below lowest reading. (see B)
2. If this tool has not been used for a period of time, it shall be preloaded several times at its maximum torque setting. This will allow internal lubricant to recoat.
3. Clean this tool by wiping with a clean cloth after operation and storage in a dry environment. Do not dip any type of liquid in this tool. This may damage the internal of this tool.
4. This tool should be recalibrated a period of 12 months, or 5,000 cycles, whichever occurs first. To contact with local vendor, an authorized repair center for supporting.



TORQUE CONVERSION FACTORS

Units to be converted	Corresponding unit								
	=mN-m	=cN-m	=N-m	=ozf-in	=lbf-in	=lbf-ft	=gf-cm	=kgf-cm (kp-cm)	=kgf-m (kp-m)
1 mN-m	1	0.1	0.001	0.142	0.009	0.0007	10.2	0.01	0.0001
1 cN-m	10	1	0.01	1.416	0.088	0.007	102	0.102	0.001
1 N-m	1000	100	1	141.6	8.851	0.738	10197	10.2	0.102
1 ozf-in	7.062	0.706	0.007	1	0.0625	0.005	72	0.072	0.0007
1 lbf-in	113	11.3	0.113	16	1	0.083	1152.1	1.152	0.0115
1 lbf-ft	1356	135.6	1.356	192	12	1	13826	13.83	0.138
1 gf-cm	0.098	0.01	0.0001	0.014	0.0009	0.00007	1	0.001	0.00001
1 kgf-cm(kp-cm)	98.07	9.807	0.098	13.89	0.868	0.072	1000	1	0.01
1 kgf-m(kp-m)	9807	980.7	9.807	1389	86.8	7.233	100000	100	1

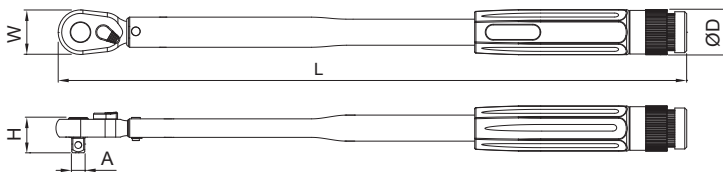
Conversion-formula :

Units to be converted × Factor = Corresponding unit

Example : Convert 5 lbf-ft into cN-m

Solution : 5 × 135.6 = 678 cN-m

SPECIFICATION



Accuracy : ± 4%

Metric

ITEM NO.	A	Range	Resolution	W	H	L	ØD	KG
MOT-15N	1/4"	3-15 Nm	0.4 Nm	21.0	20.1	196.2	21.1	0.21
MOT-30N	1/4"	6-30 Nm	2 Nm	26.6	20.2	306.0	34.0	0.59
MOT-60N	3/8"	12-60 Nm	4 Nm	33.0	27.0	380.0	34.0	0.75
MOT-100N	3/8"	20-100 Nm	5 Nm	33.0	27.0	440.0	34.0	0.88
MOT-200N	1/2"	40-200 Nm	5 Nm	42.5	36.5	530.0	39.2	1.62
MOT-320N	1/2"	60-320 Nm	20 Nm	42.5	36.5	610.0	39.2	1.83

SAE

Unit : mm

ITEM NO.	A	Range	Resolution	W	H	L	ØD	KG
MOT-150i	1/4"	30-150 in.lb	20 in.lb	21.0	20.1	196.2	21.1	0.21
MOT-250i	1/4"	50-250 in.lb	25 in.lb	26.6	20.2	306.0	34.0	0.59
MOT-45F	3/8"	9-45 ft.lb	3 ft.lb	33.0	27.0	380.0	34.0	0.75
MOT-75F	3/8"	15-75 ft.lb	5 ft.lb	33.0	27.0	440.0	34.0	0.88
MOT-150F	1/2"	30-150 ft.lb	10 ft.lb	42.5	36.5	530.0	39.2	1.62
MOT-230F	1/2"	50-230 ft.lb	20 ft.lb	42.5	36.5	610.0	39.2	1.83

Edition 02

MAY 2020



MATATAKITOYO
TORQUE TOOLS
E-mail: matatakitoyo@gmail.com
www.matatakitoyo.com

Manufacturer

MATATAKITOYO TOOL CO., LTD.

No. 63, Ln. 493, Sec. 3, Zhongshan Rd., Tanzi Dist.,

Taichung City 42754, Taiwan

TEL : 886-4-2533 5893

Made in Taiwan